

LPA

Outil pour installation d'écrous insérés



Mode d'emploi

For english manual, see page 9

Caractéristiques techniques

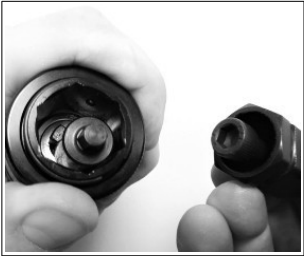
| LPA280E | LPA400E | LPA600E | LPA1500E |
|--|--|--|--|
| Capacité: Max. 1/2" | Capacité: Max. 3/8" | Capacité: Max. 1/4" | Capacité: Max. #10 |
| Poids: 1.225 kg - 2.70 lb | Poids: 1.179 kg - 2.60 lb | Poids: 1,179 kg - 2.60 lb | Poids: 1,070 kg - 2.36 lb |
| RPM: 280 | RPM: 400 | RPM: 600 | RPM: 1500 |
| Entrée d'air: NPT 1/4" | Entrée d'air: NPT 1/4" | Entrée d'air: NPT 1/4" | Entrée d'air: NPT 1/4" |
| Boyaux: 9.5mm ou 3/8" | Boyaux: 9.5mm ou 3/8" | Boyaux: 9.5mm ou 3/8" | Boyaux: 9.5mm ou 3/8" |
| Cons.air appr.: 0.14 CMM ou 5 CFM - Max. 90 PSI | Cons.air appr.: 0.14 CMM ou 5 CFM - Max. 90 PSI | Cons.air appr.: 0.14 CMM ou 5 CFM - Max. 90 PSI | Cons.air appr.: 0.14 CMM ou 5 CFM - Max. 90 PSI |
| Adaptateur fournis: 1/2-13 | Adaptateur fournis: 1/4-20 et 5/16-18 | Adaptateur fournis: 10-32 et 1/4-20 | Adaptateur fournis: 8-32 et 10-32 |
| Garantie: Tec-N-Tec = 6 mois | Garantie: Tec-N-Tec = 6 mois | Garantie: Tec-N-Tec = 6 mois | Garantie: Tec-N-Tec = 6 mois |
| LPA280M | LPA400M | LPA600M | LPA1500M |
| Capacité: Max. 12mm | Capacité: Max. 10mm | Capacité: Max. 6mm | Capacité: Max. 5mm |
| Poids: 1.225 kg - 2.70 lb | Poids: 1,179 kg - 2.60 lb | Poids: 1,179 kg - 2.60 lb | Poids: 1,070 kg -2.36 lb |
| RPM: 280 | RPM: 400 | RPM: 600 | RPM: 1500 |
| Entrée d'air: NPT 1/4" | Entrée d'air: NPT 1/4" | Entrée d'air: NPT 1/4" | Entrée d'air: NPT 1/4" |
| Boyaux: 9.5mm ou 3/8" | Boyaux: 9.5mm ou 3/8" | Boyaux: 9.5mm ou 3/8" | Boyaux: 9.5mm ou 3/8" |
| Cons.air appr.: 0.14 CMM ou 5 CFM - Max. 90 PSI | Cons.air appr.: 0.14 CMM ou 5 CFM - Max. 90 PSI | Cons.air appr.: 0.14 CMM ou 5 CFM - Max. 90 PSI | Cons.air appr.: 0.14 CMM ou 5 CFM - Max. 90 PSI |
| Adaptateur fournis: M12 | Adaptateur fournis: M6 et M8 | Adaptateur fournis: M5 et M6 | Adaptateur fournis: M4 et M5 |
| Garantie: Tec-N-Tec = 6 mois | Garantie: Tec-N-Tec = 6 mois | Garantie: Tec-N-Tec = 6 mois | Garantie: Tec-N-Tec = 6 mois |

Assemblage d'un adaptateur à changement rapide

1. Mettre la partie fendu dans le pistolet en enclenchant la fente.



2. Vérifier pour aligner les pans hexagonaux de l'adaptateur avec la vis.



3. Connecter les deux parties ensemble.



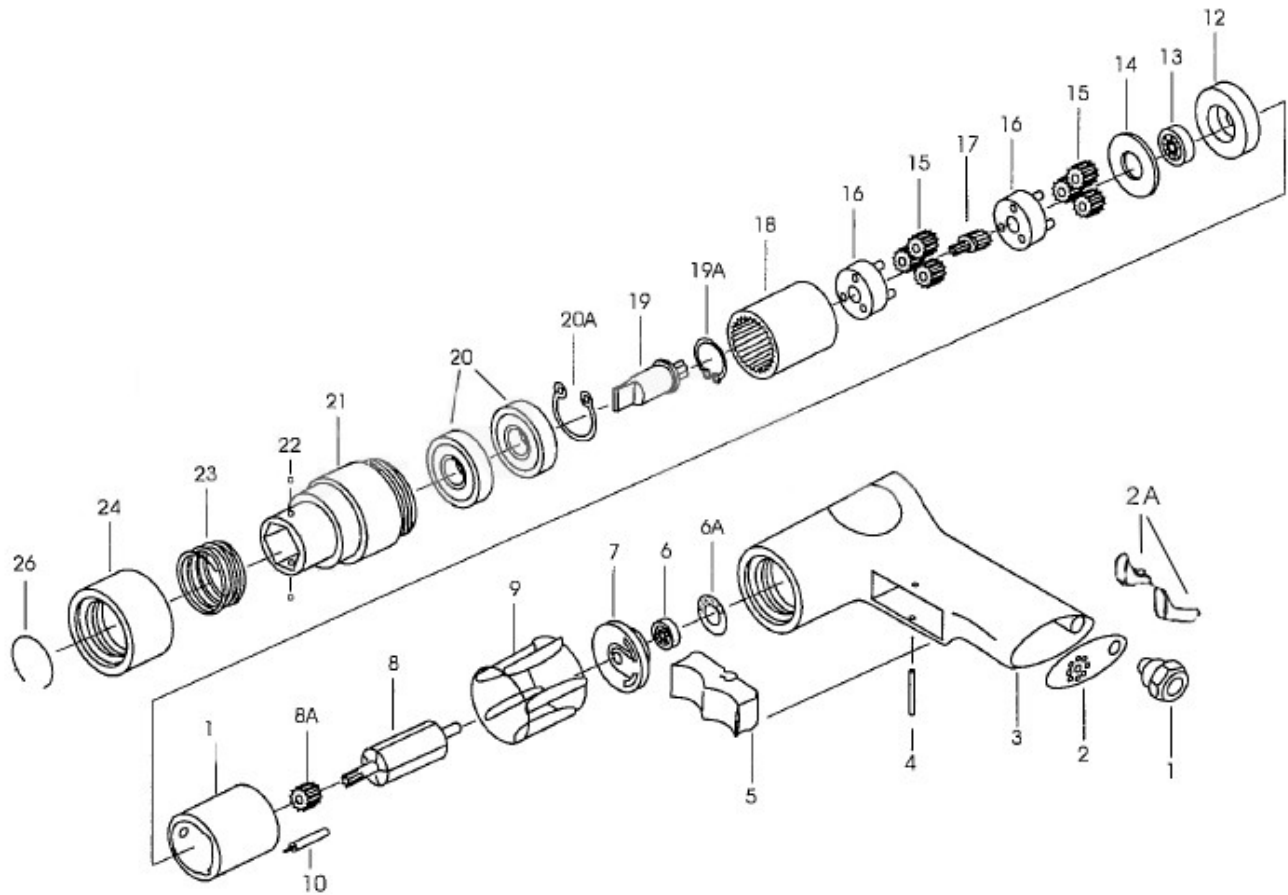
4. Tirer la partie amovible du pistolet vers l'arrière et pousser l'adaptateur dans le pistolet. Relâchez.



5. Vous êtes prêt à travailler. (2° photo – Résultat final de l'adaptateur 1/2 ou M12)



Liste de pièces & schéma pour les outils LPA



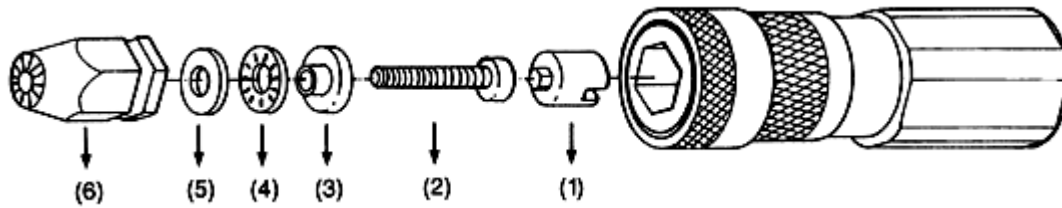
| NO. DE LISTE | TEC-N-TEC | QUANTITE | DESCRIPTION | ENGLISH |
|--------------|-----------|----------|-----------------------------------|----------------------|
| LIST NUMBER | CODE | QUANTITY | FRANCAISE | DESCRIPTION |
| 1 | 148378 | 1 | RACCORD DE PRISE D'AIR | AIR INLET |
| 2 | 149200 | 1 | DIFFUSEUR DE L'ECHAPPEMENT | DIFFUSER EXHAUST |
| 2A | 179555 | 2 | SILENCIEUX | SILENCER |
| 3 | 149201 | 1 | POIGNEE | HANDLE |
| 4 | 149202 | 1 | TIGE (3 X 28) | PIN (3 X 28) |
| 5 | 149204 | 1 | GACHETTE | TRIGGER |
| 6A | 149205 | 1 | OBTURATEUR DE JOINT | GASKET |
| 6 | 112062 | 1 | ROULEMENT A BILLES | BALL BEARING |
| 7 | 149206 | 1 | PLAQUE ARRIERE | REAR END PLATE |
| 8 | 149207 | 1 | ROTOR POUR LPA400-LPA280 | LPA400-LPA280 ROTOR |
| 8 | 149253 | 1 | ROTOR POUR LPA600-LPA1500 | LPA600-LPA1500 ROTOR |
| 8A | 149250 | 1 | CANNELURE PLANETAIRE POUR LPA1500 | LPA1500 SUN GEAR |
| 9 | 147473 | 5 | AILETTE DU ROTOR | ROTOR BLADE |
| 10 | 149208 | 2 | TIGE | ROLLER PIN |
| 11 | 149209 | 1 | CYLINDRE | CYLINDER |

| | | | | |
|-----|--------|---|---|------------------------------------|
| 12 | 149210 | 1 | PLAQUE AVANT POUR LPA400-LPA280 | LPA400-LPA280 FRONT END PLATE |
| 12 | 149255 | 1 | PLAQUE AVANT POUR LPA600-LPA1500 | LPA600-LPA1500 FRONT END PLATE |
| 13 | 141852 | 1 | ROULEMENT A BILLES POUR LPA400-LPA280 | LPA400-LPA280 BALL BEARING |
| 13 | 112054 | 1 | ROULEMENT A BILLES POUR LPA600-LPA1500 | LPA600-LPA1500 BALL BEARING |
| 14 | 149211 | 1 | RONDELLE | WASHER |
| 15A | 180001 | 3 | ENGRENAGE POUR LPA280-ARRIÈRE | LPA280 PLANET GEAR-BACK |
| 15B | 180002 | 3 | ENGRENAGE POUR LPA280-AVANT | LPA280 PLANET GEAR-FRONT |
| 15 | 149217 | 6 | ENGRENAGE POUR LPA400 | LPA400 PLANET GEAR |
| 15 | 149256 | 6 | ENGRENAGE POUR LPA600 | LPA600 PLANET GEAR |
| 15 | 149286 | 3 | ENGRENAGE POUR LPA1500 | LPA1500 PLANET GEAR |
| 16A | 180003 | 1 | CAGE DE L'ENGRENAGE POUR LPA280-ARRIERE | LPA280 GEAR CAGE-BACK |
| 16B | 180004 | 1 | CAGE DE L'ENGRENAGE POUR LPA280-AVANT | LPA280 GEAR CAGE-FRONT |
| 16 | 149219 | 2 | CAGE DE L'ENGRENAGE POUR LPA400 | LPA400 GEAR CAGE |
| 16 | 149257 | 2 | CAGE DE L'ENGRENAGE POUR LPA600 | LPA600 GEAR CAGE |
| 16 | 149287 | 1 | CAGE DE L'ENGRENAGE POUR LPA1500 | LPA1500 GEAR CAGE |
| 17 | 180005 | 1 | CANNELURE PLANETAIRE POUR LPA280 | LPA280 SUN GEAR |
| 17 | 140026 | 1 | CANNELURE PLANETAIRE POUR LPA400 | LPA400 SUN GEAR |
| 17 | 149240 | 1 | CANNELURE PLANETAIRE POUR LPA600 | LPA600 SUN GEAR |
| 18A | 180005 | 1 | ENGRENAGE INTERNE POUR LPA280 | LPA280 INTERNAL GEAR |
| 18B | 180006 | 1 | ENGRENAGE INTERNE POUR LPA280 | LPA280 INTERNAL GEAR |
| 18 | 149220 | 1 | ENGRENAGE INTERNE POUR LPA400 | LPA400 INTERNAL GEAR |
| 18 | 149258 | 1 | ENGRENAGE INTERNE POUR LPA600 | LPA600 INTERNAL GEAR |
| 18 | 149288 | 1 | ENGRENAGE INTERNE POUR LPA1500 | LPA1500 INTERNAL GEAR |
| 19 | 149227 | 1 | ARBRE D'ENTRAINEMENT | DRIVE SPINDLE |
| 19A | 149223 | 1 | BAGUE | RETAINER RING |
| 20 | 112042 | 2 | ROULEMENT A BILLES | BALL BEARING |
| 20A | 149242 | 1 | BAGUE POUR LPA280-LPA600 | LPA280-LPA600 RETAINER RING |
| 21 | 146634 | 1 | CHAMBRE POUR LPA280-LPA600 | LPA280-LPA600 NOSE HOUSING |
| 21 | 149289 | 1 | CHAMBRE POUR LPA1500 | LPA1500 NOSE HOUSING |
| 22 | 149228 | 2 | BILLE | BALL |
| 23 | 149232 | 1 | RESSORT | SPRING |
| 24 | 149234 | 1 | FOURREAU | SLEEVE |
| 26 | 149236 | 1 | BAGUE DE RETENUE | CIRCLIP |
| * | 152513 | 7 | ENSEMBLE DE LA POIGNEE | HANDLE ASSEMBLY |
| | | | (INCLUS PIECES #1, 2, 2A, 3, 4, 5) | (INCLUDE PARTS #1, 2, 2A, 3, 4, 5) |

Adaptateurs à changement rapide

| TEC-N-TEC | FILET | DESCRIPTION | ENGLISH |
|-----------|---------|--|---|
| CODE | THREAD | FRANCAISE | DESCRIPTION |
| NPA440 | 4-40 | ADAPTATEUR A CHANGEMENT RAPIDE 4-40 | 4-40 "QUICK CHANGE" NOSEPIECE ASSEMBLY |
| NPA632 | 6-32 | ADAPTATEUR A CHANGEMENT RAPIDE 8-32 | 6-32 "QUICK CHANGE" NOSEPIECE ASSEMBLY |
| NPA832 | 8-32 | ADAPTATEUR A CHANGEMENT RAPIDE 8-32 | 8-32 "QUICK CHANGE" NOSEPIECE ASSEMBLY |
| NPA1024 | 10-24 | ADAPTATEUR A CHANGEMENT RAPIDE 10-24 | 10-24 "QUICK CHANGE" NOSEPIECE ASSEMBLY |
| NPA1032 | 10-32 | ADAPTATEUR A CHANGEMENT RAPIDE 10-32 | 10-32 "QUICK CHANGE" NOSEPIECE ASSEMBLY |
| NPA420 | 1/4-20 | ADAPTATEUR A CHANGEMENT RAPIDE 1/4-20 | 1/4-20 "QUICK CHANGE" NOSEPIECE ASSEMBLY |
| NPA428 | 1/4-28 | ADAPTATEUR A CHANGEMENT RAPIDE 1/4-28 | 1/4-28 "QUICK CHANGE" NOSEPIECE ASSEMBLY |
| NPA518 | 5/16-18 | ADAPTATEUR A CHANGEMENT RAPIDE 5/16-18 | 5/16-18 "QUICK CHANGE" NOSEPIECE ASSEMBLY |
| NPA524 | 5/16-24 | ADAPTATEUR A CHANGEMENT RAPIDE 5/16-24 | 5/16-24 "QUICK CHANGE" NOSEPIECE ASSEMBLY |
| NPA616 | 3/8-16 | ADAPTATEUR A CHANGEMENT RAPIDE 3/8-16 | 3/8-16 "QUICK CHANGE" NOSEPIECE ASSEMBLY |
| NPA624 | 3/8-24 | ADAPTATEUR A CHANGEMENT RAPIDE 3/8-24 | 3/8-24 "QUICK CHANGE" NOSEPIECE ASSEMBLY |
| NPA813 | 1/2-13 | ADAPTATEUR A CHANGEMENT RAPIDE 1/2-13 | 1-2-13 "QUICK CHANGE" NOSEPIECE ASSEMBLY |
| | | | |
| NPA350 | 3MM | ADAPTATEUR A CHANGEMENT RAPIDE 3MM | 3MM "QUICK CHANGE" NOSEPIECE ASSEMBLY |
| NPA470 | 4MM | ADAPTATEUR A CHANGEMENT RAPIDE 4MM | 4MM "QUICK CHANGE" NOSEPIECE ASSEMBLY |
| NPA580 | 5MM | ADAPTATEUR A CHANGEMENT RAPIDE 5MM | 5MM "QUICK CHANGE" NOSEPIECE ASSEMBLY |
| NPA610 | 6MM | ADAPTATEUR A CHANGEMENT RAPIDE 6MM | 6MM "QUICK CHANGE" NOSEPIECE ASSEMBLY |
| NPA8125 | 8MM | ADAPTATEUR A CHANGEMENT RAPIDE 8MM | 8MM "QUICK CHANGE" NOSEPIECE ASSEMBLY |
| NPA1015 | 10MM | ADAPTATEUR A CHANGEMENT RAPIDE 10MM | 10MM "QUICK CHANGE" NOSEPIECE ASSEMBLY |
| NPA12175 | 12MM | ADAPTATEUR A CHANGEMENT RAPIDE 12MM | 12MM "QUICK CHANGE" NOSEPIECE ASSEMBLY |

Schéma des pièces pour l'adaptateur à changement rapide



- Pour 1/2-13 et M12, seulement les pièces 1, 2 et 6 sont disponible.
(La pièce 6 comprends déjà l'ensemble de roulement à bille)

- For 1/2-13 and M12, only parts 1, 2 and 6 are available.
(Part 6 already includes the bearing kit)

| NO. DE LISTE | TEC-N-TEC | BOULON | DESCRIPTION | ENGLISH |
|--------------|------------|----------|--|--|
| LIST NUMBER | CODE | BOLT | FRANCAISE | DESCRIPTION |
| 1 | DBD4 | 4 | PRISE HEXAGONALE # 4 | DRAW BOLT DRIVER # 4 |
| 1 | DBD6 | 6 | PRISE HEXAGONALE # 6 | DRAW BOLT DRIVER # 6 |
| 1 | DBD8 | 8 | PRISE HEXAGONALE # 8 | DRAW BOLT DRIVER # 8 |
| 1 | DBD10 | 10 - 5mm | PRISE HEXAGONALE # 10 ET 5mm | DRAW BOLT DRIVER # 10 AND 5mm |
| 1 | DBD14 | 1/4" | PRISE HEXAGONALE 1/4" | DRAW BOLT DRIVER 1/4" |
| 1 | DBD516 | 5/16" | PRISE HEXAGONALE 5/16" | DRAW BOLT DRIVER 5/16" |
| 1 | DBD38 | 3/8" | PRISE HEXAGONALE 3/8" | DRAW BOLT DRIVER 3/8" |
| 1 | DBD12 | 1/2" | PRISE HEXAGONALE 1/2" | DRAW BOLT DRIVER 1/2" |
| 1 | DBD3MM | 3mm | PRISE HEXAGONALE 3mm | DRAW BOLT DRIVER 3mm |
| 1 | DBD4MM | 4mm | PRISE HEXAGONALE 4mm | DRAW BOLT DRIVER 4mm |
| 1 | DBD6MM | 6mm | PRISE HEXAGONALE 6mm | DRAW BOLT DRIVER 6mm |
| 1 | DBD8MM | 8mm | PRISE HEXAGONALE 8mm | DRAW BOLT DRIVER 8mm |
| 1 | DBD10MM | 10mm | PRISE HEXAGONALE 10mm | DRAW BOLT DRIVER 10mm |
| 1 | DBD12MM | 12mm | PRISE HEXAGONALE 12mm | DRAW BOLT DRIVER 12mm |
| 2 | CS440112 | 4 | SOCKET CAP SCREW # 4-40 - 1" 1/2 | DRAW BOLT # 4-40 - 1" 1/2 |
| 2 | CS632112 | 6 | SOCKET CAP SCREW # 6-32 - 1" 1/2 | DRAW BOLT # 6-32 - 1" 1/2 |
| 2 | CS832112 | 8 | SOCKET CAP SCREW # 8-32 - 1" 1/2 | DRAW BOLT # 8-32 - 1" 1/2 |
| 2 | CS1024134 | 10 | SOCKET CAP SCREW # 10-24 - 1" 3/4 | DRAW BOLT # 10-24 - 1" 3/4 |
| 2 | CS1032134 | 10 | SOCKET CAP SCREW # 10-32 - 1" 3/4 | DRAW BOLT # 10-32 - 1" 3/4 |
| 2 | CS1420134 | 1/4" | SOCKET CAP SCREW # 1/4-20 - 1" 3/4 | DRAW BOLT 1/4-20 - 1" 3/4 |
| 2 | CS1420214 | 1/4" | SOCKET CAP SCREW # 1/4-20 - 2" 1/4 POUR ÉCROUS INSÉRÉS IPRS OU ARS4 | DRAW BOLT 1/4-20 - 2" 1/4 FOR IPRS OR ARS4 INSERT |
| 2 | CS51618134 | 5/16" | SOCKET CAP SCREW # 5/16-18 - 1" 3/4 | DRAW BOLT 5/16-18 - 1" 3/4 |
| 2 | CS516182 | 5/16" | SOCKET CAP SCREW # 5/16-18 - 2" POUR ÉCROUS INSÉRÉS IPRS OU ARS4 | DRAW BOLT 5/16-18 - 2" FOR IPRS OR ARS4 INSERT |
| 2 | CS38162 | 3/8" | SOCKET CAP SCREW # 3/8-16 - 2" | DRAW BOLT 3/8-16 - 2" |

| | | | | |
|---|-----------|-------------|-------------------------------------|----------------------------------|
| 2 | CS1213212 | 1/2" | SOCKET CAP SCREW # 1/2-13 - 2" 1/2 | DRAW BOLT 1/2-13 - 2" 1/2 |
| 2 | CS35035 | 3mm | SOCKET CAP SCREW 3x0.5mm - 35mm | DRAW BOLT 3x0.5mm - 35mm |
| 2 | CS47035 | 4mm | SOCKET CAP SCREW 4x0.7mm - 35mm | DRAW BOLT 4x0.7mm - 35mm |
| 2 | CS58040 | 5mm | SOCKET CAP SCREW 5x0.8mm - 40mm | DRAW BOLT 5x0.8mm - 40mm |
| 2 | CS61040 | 6mm | SOCKET CAP SCREW 6x1.0mm - 40mm | DRAW BOLT 6x1.0mm - 40mm |
| 2 | CS812545 | 8mm | SOCKET CAP SCREW 8x1.25mm - 45mm | DRAW BOLT 8x1.25mm - 45mm |
| 2 | CS101545 | 10mm | SOCKET CAP SCREW 10x1.5mm - 45mm | DRAW BOLT 10x1.5mm - 45mm |
| 2 | CS1217560 | 12mm | SOCKET CAP SCREW 12x1.75mm - 60mm | DRAW BOLT 12x1.75mm - 60mm |
| | | | | |
| 3 | TP4 | 4 - 3mm | RONDELLE ARRIERE # 4 ET 3mm | REAR THRUST PLATE # 4 AND 3mm |
| 3 | TP6 | 6 | RONDELLE ARRIERE # 6 | REAR THRUST PLATE #6 |
| 3 | TP8 | 8 - 4mm | RONDELLE ARRIERE # 8 ET 4mm | REAR THRUST PLATE # 8 AND 4mm |
| 3 | TP10 | 10 - 5mm | RONDELLE ARRIERE # 10 ET 5mm | REAR THRUST PLATE # 10 AND 5mm |
| 3 | TP14 | 1/4" - 6mm | RONDELLE ARRIERE 1/4" ET 6mm | REAR THRUST PLATE 1/4" AND 6mm |
| 3 | TW01 | 5/16" - 8mm | RONDELLE ARRIERE 5/16" ET 8mm | REAR THRUST PLATE 5/16" AND 8mm |
| 3 | TW02 | 3/8" - 10mm | RONDELLE ARRIERE 3/8" ET 10mm | REAR THRUST PLATE 3/8" AND 10mm |
| | | | | |
| 4 | TB01 | #4 -5/16" | ROULEMENT A BILLE POUR #4 À 5/16" | ROLLER BEARING FOR #4 TO 5/16" |
| 4 | TB01 | 3mm - 8mm | ROULEMENT A BILLE POUR 3mm À 8mm | ROLLER BEARING FOR 3mm TO 8mm |
| 4 | TB02 | 3/8" - 10mm | ROULEMENT A BILLE POUR 3/8" ET 10mm | ROLLER BEARING FOR 3/8" AND 10mm |
| | | | | |
| 5 | TW01 | #4 -5/16" | RONDELLE #4 À 5/16" | THRUST WASHER #4 TO 5/16" |
| 5 | TW01 | 3mm - 8mm | RONDELLE 3mm À 8mm | THRUST WASHER 3mm TO 8mm |
| 5 | TW02 | 3/8" - 10mm | RONDELLE 3/8" ET 10mm | THRUST WASHER 3/8" AND 10mm |
| | | | | |
| 6 | NP4 | 4 - 3mm | ENCLUME #4 ET 3mm | NOSE PIECE #4 AND 3mm |
| 6 | NP6 | 6 | ENCLUME #6 | NOSE PIECE #6 |
| 6 | NP8 | 8 - 4mm | ENCLUME #8 ET 4mm | NOSE PIECE #8 AND 4mm |
| 6 | NP10 | 10 - 5mm | ENCLUME #10 ET 5mm | NOSE PIECE #10 AND 5mm |
| 6 | NP14 | 1/4" - 6mm | ENCLUME 1/4" ET 6mm | NOSE PIECE 1/4" AND 6mm |
| 6 | NP516 | 5/16" - 8mm | ENCLUME 5/16" ET 8mm | NOSE PIECE 5/16" AND 8mm |
| 6 | NP38 | 3/8" - 10mm | ENCLUME 3/8" ET 10mm | NOSE PIECE 3/8" AND 10mm |
| 6 | NP12 | 1/2" | ENCLUME 1/2" | NOSE PIECE 1/2" |
| 6 | NP12MM | 12mm | ENCLUME 12mm | NOSE PIECE 12mm |

LPA

Threaded insert tool



Operating instructions

Technical characteristics

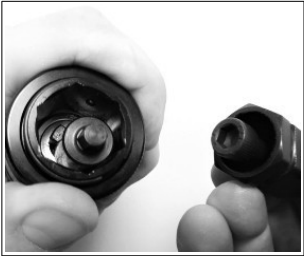
| LPA280E | LPA400E | LPA600E | LPA1500E |
|--|--|--|---|
| Working range: Max. 1/2" | Working range: Max. 3/8" | Working range: Max. 1/4" | Working range: Max. #10 |
| Weight: 1.225 kg - 2.70 lb | Weight: 1.179 kg - 2.60 lb | Weight: 1,179 kg - 2.60 lb | Weight: 1,070 kg - 2.36 lb |
| RPM: 280 | RPM: 400 | RPM: 600 | RPM: 1500 |
| Air inlet: NPT 1/4" | Air inlet: NPT 1/4" | Air inlet: NPT 1/4" | Air inlet: NPT 1/4" |
| Hose size: 9.5mm or 3/8 | Hose size: 9.5mm or 3/8 | Hose size: 9.5mm or 3/8 | Hose size: 9.5mm or 3/8 |
| Avg. Air cons.: 0.14 CMM or 5 CFM - Max. 90 PSI | Avg. Air cons.: 0.14 CMM or 5 CFM - Max. 90 PSI | Avg. Air cons.: 0.14 CMM or 5 CFM - Max. 90 PSI | Avg. Air cons.: 0.14 CMM or 5 CFM - Max. Max. 90 PSI |
| Adaptors included: 1/2-13 | Adaptors included: 1/4-20 and 5/16-18 | Adaptors included: 10-32 and 1/4-20 | Adaptors included: 8-32 and 10-32 |
| Warranty: Tec-N-Tec = 6 months | Warranty: Tec-N-Tec = 6 months | Warranty: Tec-N-Tec = 6 months | Warranty: Tec-N-Tec = 6 months |
| LPA280M | LPA400M | LPA600M | LPA1500M |
| Working range: Max. 12 mm | Working range: Max. 10mm | Working range: Max. 6mm | Working range: Max. 5mm |
| Weight: 1.225 kg - 2.70 lb | Weight: 1.179 kg - 2.60 lb | Weight: 1,179 kg - 2.60 lb | Weight: 1,070 kg -2.36 lb |
| RPM: 280 | RPM: 400 | RPM: 600 | RPM: 1500 |
| Air inlet: NPT 1/4" | Air inlet: NPT 1/4" | Air inlet: NPT 1/4" | Air inlet: NPT 1/4" |
| Hose size: 9.5mm or 3/8 | Hose size: 9.5mm or 3/8 | Hose size: 9.5mm or 3/8 | Hose size: 9.5mm or 3/8 |
| Avg. Air cons.: 0.14 CMM or 5 CFM - Max. 90 PSI | Avg. Air cons.: 0.14 CMM or 5 CFM - Max. 90 PSI | Avg. Air cons.: 0.14 CMM or 5 CFM - Max. 90 PSI | Avg. Air cons.: 0.14 CMM or 5 CFM Max. 90 PSI |
| Adaptors included: M12 | Adaptors included: M6 and M8 | Adaptors included: M5 and M6 | Adaptors included: M4 and M5 |
| Warranty: Tec-N-Tec = 6 months | Warranty: Tec-N-Tec = 6 months | Warranty: Tec-N-Tec = 6 months | Warranty: Tec-N-Tec = 6 months |

Pairing a quick connect adaptor on tool

1. Insert the slotted part into the tool gun, while aligning the slot.



2. Make sure to align the hex socket of the adaptor with the screw.



3. Connect both parts.



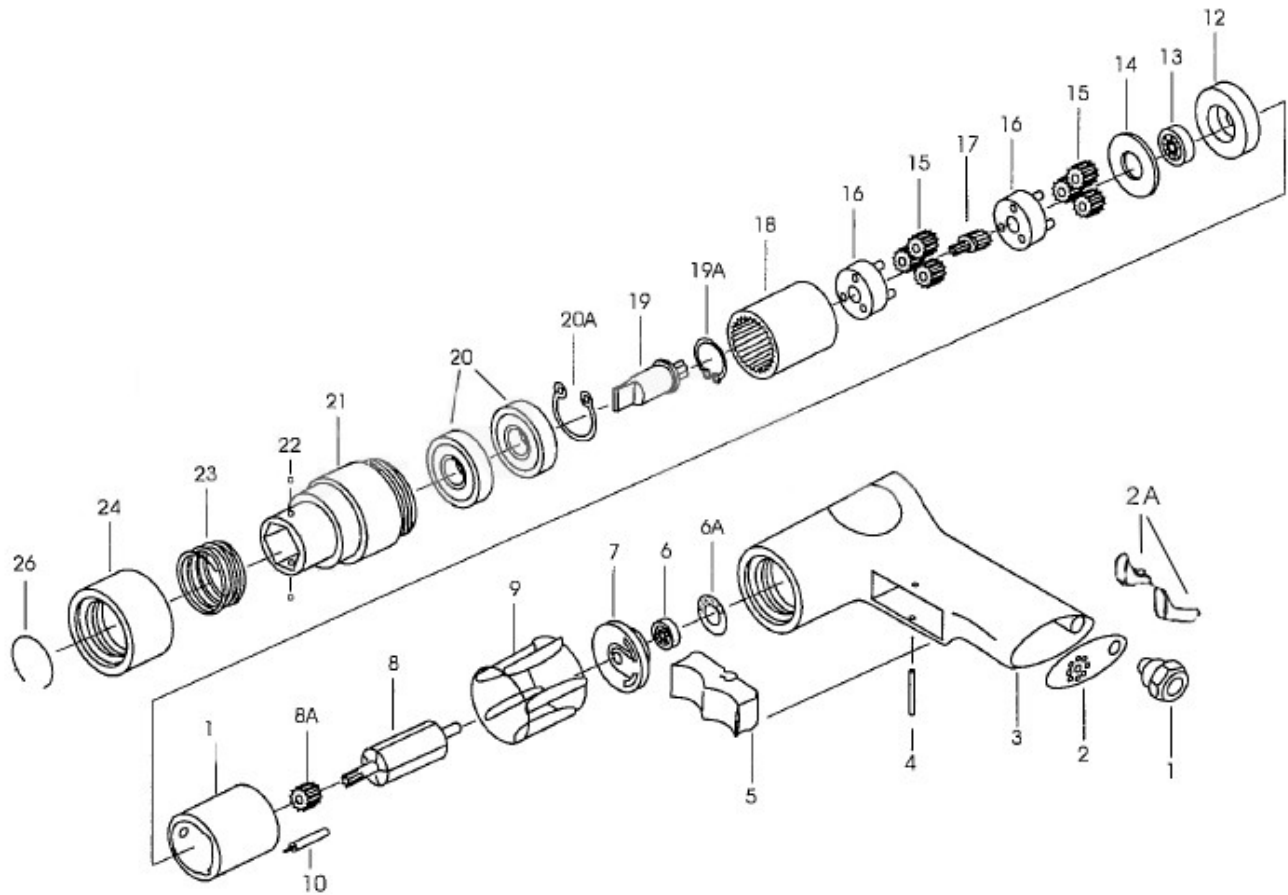
4. Pull the movable part of the gun backward and push the adaptor into the gun. Release.



5. You're ready to work. (2nd picture – Final result with 1/2" or M12 adaptor)



Parts list & diagram for LPA Tools



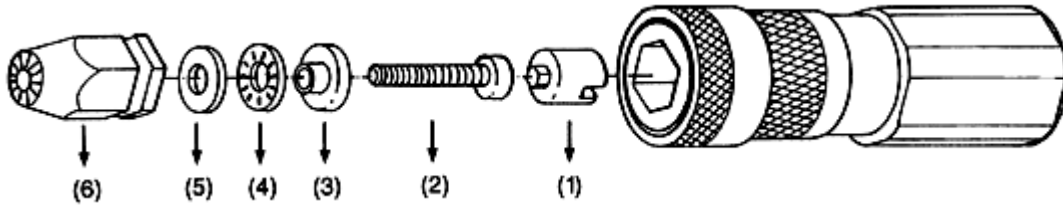
| NO. DE LISTE | TEC-N-TEC | QUANTITE | DESCRIPTION | ENGLISH |
|--------------|-----------|----------|-----------------------------------|----------------------|
| LIST NUMBER | CODE | QUANTITY | FRANCAISE | DESCRIPTION |
| 1 | 148378 | 1 | RACCORD DE PRISE D'AIR | AIR INLET |
| 2 | 149200 | 1 | DIFFUSEUR DE L'ECHAPPEMENT | DIFFUSER EXHAUST |
| 2A | 179555 | 2 | SILENCIEUX | SILENCER |
| 3 | 149201 | 1 | POIGNEE | HANDLE |
| 4 | 149202 | 1 | TIGE (3 X 28) | PIN (3 X 28) |
| 5 | 149204 | 1 | GACHETTE | TRIGGER |
| 6A | 149205 | 1 | OBTURATEUR DE JOINT | GASKET |
| 6 | 112062 | 1 | ROULEMENT A BILLES | BALL BEARING |
| 7 | 149206 | 1 | PLAQUE ARRIERE | REAR END PLATE |
| 8 | 149207 | 1 | ROTOR POUR LPA400-LPA280 | LPA400-LPA280 ROTOR |
| 8 | 149253 | 1 | ROTOR POUR LPA600-LPA1500 | LPA600-LPA1500 ROTOR |
| 8A | 149250 | 1 | CANNELURE PLANETAIRE POUR LPA1500 | LPA1500 SUN GEAR |
| 9 | 147473 | 5 | AILETTE DU ROTOR | ROTOR BLADE |
| 10 | 149208 | 2 | TIGE | ROLLER PIN |
| 11 | 149209 | 1 | CYLINDRE | CYLINDER |

| | | | | |
|-----|--------|---|---|------------------------------------|
| 12 | 149210 | 1 | PLAQUE AVANT POUR LPA400-LPA280 | LPA400-LPA280 FRONT END PLATE |
| 12 | 149255 | 1 | PLAQUE AVANT POUR LPA600-LPA1500 | LPA600-LPA1500 FRONT END PLATE |
| 13 | 141852 | 1 | ROULEMENT A BILLES POUR LPA400-LPA280 | LPA400-LPA280 BALL BEARING |
| 13 | 112054 | 1 | ROULEMENT A BILLES POUR LPA600-LPA1500 | LPA600-LPA1500 BALL BEARING |
| 14 | 149211 | 1 | RONDELLE | WASHER |
| 15A | 180001 | 3 | ENGRENAGE POUR LPA280-ARRIÈRE | LPA280 PLANET GEAR-BACK |
| 15B | 180002 | 3 | ENGRENAGE POUR LPA280-AVANT | LPA280 PLANET GEAR-FRONT |
| 15 | 149217 | 6 | ENGRENAGE POUR LPA400 | LPA400 PLANET GEAR |
| 15 | 149256 | 6 | ENGRENAGE POUR LPA600 | LPA600 PLANET GEAR |
| 15 | 149286 | 3 | ENGRENAGE POUR LPA1500 | LPA1500 PLANET GEAR |
| 16A | 180003 | 1 | CAGE DE L'ENGRENAGE POUR LPA280-ARRIERE | LPA280 GEAR CAGE-BACK |
| 16B | 180004 | 1 | CAGE DE L'ENGRENAGE POUR LPA280-AVANT | LPA280 GEAR CAGE-FRONT |
| 16 | 149219 | 2 | CAGE DE L'ENGRENAGE POUR LPA400 | LPA400 GEAR CAGE |
| 16 | 149257 | 2 | CAGE DE L'ENGRENAGE POUR LPA600 | LPA600 GEAR CAGE |
| 16 | 149287 | 1 | CAGE DE L'ENGRENAGE POUR LPA1500 | LPA1500 GEAR CAGE |
| 17 | 180005 | 1 | CANNELURE PLANETAIRE POUR LPA280 | LPA280 SUN GEAR |
| 17 | 140026 | 1 | CANNELURE PLANETAIRE POUR LPA400 | LPA400 SUN GEAR |
| 17 | 149240 | 1 | CANNELURE PLANETAIRE POUR LPA600 | LPA600 SUN GEAR |
| 18A | 180005 | 1 | ENGRENAGE INTERNE POUR LPA280 | LPA280 INTERNAL GEAR |
| 18B | 180006 | 1 | ENGRENAGE INTERNE POUR LPA280 | LPA280 INTERNAL GEAR |
| 18 | 149220 | 1 | ENGRENAGE INTERNE POUR LPA400 | LPA400 INTERNAL GEAR |
| 18 | 149258 | 1 | ENGRENAGE INTERNE POUR LPA600 | LPA600 INTERNAL GEAR |
| 18 | 149288 | 1 | ENGRENAGE INTERNE POUR LPA1500 | LPA1500 INTERNAL GEAR |
| 19 | 149227 | 1 | ARBRE D'ENTRAINEMENT | DRIVE SPINDLE |
| 19A | 149223 | 1 | BAGUE | RETAINER RING |
| 20 | 112042 | 2 | ROULEMENT A BILLES | BALL BEARING |
| 20A | 149242 | 1 | BAGUE POUR LPA280-LPA600 | LPA280-LPA600 RETAINER RING |
| 21 | 146634 | 1 | CHAMBRE POUR LPA280-LPA600 | LPA280-LPA600 NOSE HOUSING |
| 21 | 149289 | 1 | CHAMBRE POUR LPA1500 | LPA1500 NOSE HOUSING |
| 22 | 149228 | 2 | BILLE | BALL |
| 23 | 149232 | 1 | RESSORT | SPRING |
| 24 | 149234 | 1 | FOURREAU | SLEEVE |
| 26 | 149236 | 1 | BAGUE DE RETENUE | CIRCLIP |
| * | 152513 | 7 | ENSEMBLE DE LA POIGNEE | HANDLE ASSEMBLY |
| | | | (INCLUS PIECES #1, 2, 2A, 3, 4, 5) | (INCLUDE PARTS #1, 2, 2A, 3, 4, 5) |

"Quick change" nosepieces assemblies

| TEC-N-TEC | FILET | DESCRIPTION | ENGLISH |
|-----------|---------|--|---|
| CODE | THREAD | FRANCAISE | DESCRIPTION |
| NPA440 | 4-40 | ADAPTATEUR A CHANGEMENT RAPIDE 4-40 | 4-40 "QUICK CHANGE" NOSEPIECE ASSEMBLY |
| NPA632 | 6-32 | ADAPTATEUR A CHANGEMENT RAPIDE 8-32 | 6-32 "QUICK CHANGE" NOSEPIECE ASSEMBLY |
| NPA832 | 8-32 | ADAPTATEUR A CHANGEMENT RAPIDE 8-32 | 8-32 "QUICK CHANGE" NOSEPIECE ASSEMBLY |
| NPA1024 | 10-24 | ADAPTATEUR A CHANGEMENT RAPIDE 10-24 | 10-24 "QUICK CHANGE" NOSEPIECE ASSEMBLY |
| NPA1032 | 10-32 | ADAPTATEUR A CHANGEMENT RAPIDE 10-32 | 10-32 "QUICK CHANGE" NOSEPIECE ASSEMBLY |
| NPA420 | 1/4-20 | ADAPTATEUR A CHANGEMENT RAPIDE 1/4-20 | 1/4-20 "QUICK CHANGE" NOSEPIECE ASSEMBLY |
| NPA428 | 1/4-28 | ADAPTATEUR A CHANGEMENT RAPIDE 1/4-28 | 1/4-28 "QUICK CHANGE" NOSEPIECE ASSEMBLY |
| NPA518 | 5/16-18 | ADAPTATEUR A CHANGEMENT RAPIDE 5/16-18 | 5/16-18 "QUICK CHANGE" NOSEPIECE ASSEMBLY |
| NPA524 | 5/16-24 | ADAPTATEUR A CHANGEMENT RAPIDE 5/16-24 | 5/16-24 "QUICK CHANGE" NOSEPIECE ASSEMBLY |
| NPA616 | 3/8-16 | ADAPTATEUR A CHANGEMENT RAPIDE 3/8-16 | 3/8-16 "QUICK CHANGE" NOSEPIECE ASSEMBLY |
| NPA624 | 3/8-24 | ADAPTATEUR A CHANGEMENT RAPIDE 3/8-24 | 3/8-24 "QUICK CHANGE" NOSEPIECE ASSEMBLY |
| NPA813 | 1/2-13 | ADAPTATEUR A CHANGEMENT RAPIDE 1/2-13 | 1-2-13 "QUICK CHANGE" NOSEPIECE ASSEMBLY |
| | | | |
| NPA350 | 3MM | ADAPTATEUR A CHANGEMENT RAPIDE 3MM | 3MM "QUICK CHANGE" NOSEPIECE ASSEMBLY |
| NPA470 | 4MM | ADAPTATEUR A CHANGEMENT RAPIDE 4MM | 4MM "QUICK CHANGE" NOSEPIECE ASSEMBLY |
| NPA580 | 5MM | ADAPTATEUR A CHANGEMENT RAPIDE 5MM | 5MM "QUICK CHANGE" NOSEPIECE ASSEMBLY |
| NPA610 | 6MM | ADAPTATEUR A CHANGEMENT RAPIDE 6MM | 6MM "QUICK CHANGE" NOSEPIECE ASSEMBLY |
| NPA8125 | 8MM | ADAPTATEUR A CHANGEMENT RAPIDE 8MM | 8MM "QUICK CHANGE" NOSEPIECE ASSEMBLY |
| NPA1015 | 10MM | ADAPTATEUR A CHANGEMENT RAPIDE 10MM | 10MM "QUICK CHANGE" NOSEPIECE ASSEMBLY |
| NPA12175 | 12MM | ADAPTATEUR A CHANGEMENT RAPIDE 12MM | 12MM "QUICK CHANGE" NOSEPIECE ASSEMBLY |

Part list diagram for "Quick change" nosepiece assemblies



- Pour 1/2-13 et M12, seulement les pièces 1, 2 et 6 sont disponible.
(La pièce 6 comprend déjà l'ensemble de roulement à bille)

- For 1/2-13 and M12, only parts 1, 2 and 6 are available.
(Part 6 already includes the bearing kit)

| NO. DE LISTE | TEC-N-TEC | BOULON | DESCRIPTION | ENGLISH |
|--------------|------------|----------|--|--|
| LIST NUMBER | CODE | BOLT | FRANCAISE | DESCRIPTION |
| 1 | DBD4 | 4 | PRISE HEXAGONALE # 4 | DRAW BOLT DRIVER # 4 |
| 1 | DBD6 | 6 | PRISE HEXAGONALE # 6 | DRAW BOLT DRIVER # 6 |
| 1 | DBD8 | 8 | PRISE HEXAGONALE # 8 | DRAW BOLT DRIVER # 8 |
| 1 | DBD10 | 10 - 5mm | PRISE HEXAGONALE # 10 ET 5mm | DRAW BOLT DRIVER # 10 AND 5mm |
| 1 | DBD14 | 1/4" | PRISE HEXAGONALE 1/4" | DRAW BOLT DRIVER 1/4" |
| 1 | DBD516 | 5/16" | PRISE HEXAGONALE 5/16" | DRAW BOLT DRIVER 5/16" |
| 1 | DBD38 | 3/8" | PRISE HEXAGONALE 3/8" | DRAW BOLT DRIVER 3/8" |
| 1 | DBD12 | 1/2" | PRISE HEXAGONALE 1/2" | DRAW BOLT DRIVER 1/2" |
| 1 | DBD3MM | 3mm | PRISE HEXAGONALE 3mm | DRAW BOLT DRIVER 3mm |
| 1 | DBD4MM | 4mm | PRISE HEXAGONALE 4mm | DRAW BOLT DRIVER 4mm |
| 1 | DBD6MM | 6mm | PRISE HEXAGONALE 6mm | DRAW BOLT DRIVER 6mm |
| 1 | DBD8MM | 8mm | PRISE HEXAGONALE 8mm | DRAW BOLT DRIVER 8mm |
| 1 | DBD10MM | 10mm | PRISE HEXAGONALE 10mm | DRAW BOLT DRIVER 10mm |
| 1 | DBD12MM | 12mm | PRISE HEXAGONALE 12mm | DRAW BOLT DRIVER 12mm |
| 2 | CS440112 | 4 | SOCKET CAP SCREW # 4-40 - 1" 1/2 | DRAW BOLT # 4-40 - 1" 1/2 |
| 2 | CS632112 | 6 | SOCKET CAP SCREW # 6-32 - 1" 1/2 | DRAW BOLT # 6-32 - 1" 1/2 |
| 2 | CS832112 | 8 | SOCKET CAP SCREW # 8-32 - 1" 1/2 | DRAW BOLT # 8-32 - 1" 1/2 |
| 2 | CS1024134 | 10 | SOCKET CAP SCREW # 10-24 - 1" 3/4 | DRAW BOLT # 10-24 - 1" 3/4 |
| 2 | CS1032134 | 10 | SOCKET CAP SCREW # 10-32 - 1" 3/4 | DRAW BOLT # 10-32 - 1" 3/4 |
| 2 | CS1420134 | 1/4" | SOCKET CAP SCREW # 1/4-20 - 1" 3/4 | DRAW BOLT 1/4-20 - 1" 3/4 |
| 2 | CS1420214 | 1/4" | SOCKET CAP SCREW # 1/4-20 - 2" 1/4 POUR ÉCROUS INSÉRÉS IPRS OU ARS4 | DRAW BOLT 1/4-20 - 2" 1/4 FOR IPRS OR ARS4 INSERT |
| 2 | CS51618134 | 5/16" | SOCKET CAP SCREW # 5/16-18 - 1" 3/4 | DRAW BOLT 5/16-18 - 1" 3/4 |
| 2 | CS516182 | 5/16" | SOCKET CAP SCREW # 5/16-18 - 2" POUR ÉCROUS INSÉRÉS IPRS OU ARS4 | DRAW BOLT 5/16-18 - 2" FOR IPRS OR ARS4 INSERT |
| 2 | CS38162 | 3/8" | SOCKET CAP SCREW # 3/8-16 - 2" | DRAW BOLT 3/8-16 - 2" |

| | | | | |
|---|-----------|-------------|-------------------------------------|----------------------------------|
| 2 | CS1213212 | 1/2" | SOCKET CAP SCREW # 1/2-13 - 2" 1/2 | DRAW BOLT 1/2-13 - 2" 1/2 |
| 2 | CS35035 | 3mm | SOCKET CAP SCREW 3x0.5mm - 35mm | DRAW BOLT 3x0.5mm - 35mm |
| 2 | CS47035 | 4mm | SOCKET CAP SCREW 4x0.7mm - 35mm | DRAW BOLT 4x0.7mm - 35mm |
| 2 | CS58040 | 5mm | SOCKET CAP SCREW 5x0.8mm - 40mm | DRAW BOLT 5x0.8mm - 40mm |
| 2 | CS61040 | 6mm | SOCKET CAP SCREW 6x1.0mm - 40mm | DRAW BOLT 6x1.0mm - 40mm |
| 2 | CS812545 | 8mm | SOCKET CAP SCREW 8x1.25mm - 45mm | DRAW BOLT 8x1.25mm - 45mm |
| 2 | CS101545 | 10mm | SOCKET CAP SCREW 10x1.5mm - 45mm | DRAW BOLT 10x1.5mm - 45mm |
| 2 | CS1217560 | 12mm | SOCKET CAP SCREW 12x1.75mm - 60mm | DRAW BOLT 12x1.75mm - 60mm |
| | | | | |
| 3 | TP4 | 4 - 3mm | RONDELLE ARRIERE # 4 ET 3mm | REAR THRUST PLATE # 4 AND 3mm |
| 3 | TP6 | 6 | RONDELLE ARRIERE # 6 | REAR THRUST PLATE #6 |
| 3 | TP8 | 8 - 4mm | RONDELLE ARRIERE # 8 ET 4mm | REAR THRUST PLATE # 8 AND 4mm |
| 3 | TP10 | 10 - 5mm | RONDELLE ARRIERE # 10 ET 5mm | REAR THRUST PLATE # 10 AND 5mm |
| 3 | TP14 | 1/4" - 6mm | RONDELLE ARRIERE 1/4" ET 6mm | REAR THRUST PLATE 1/4" AND 6mm |
| 3 | TW01 | 5/16" - 8mm | RONDELLE ARRIERE 5/16" ET 8mm | REAR THRUST PLATE 5/16" AND 8mm |
| 3 | TW02 | 3/8" - 10mm | RONDELLE ARRIERE 3/8" ET 10mm | REAR THRUST PLATE 3/8" AND 10mm |
| | | | | |
| 4 | TB01 | #4 -5/16" | ROULEMENT A BILLE POUR #4 À 5/16" | ROLLER BEARING FOR #4 TO 5/16" |
| 4 | TB01 | 3mm - 8mm | ROULEMENT A BILLE POUR 3mm À 8mm | ROLLER BEARING FOR 3mm TO 8mm |
| 4 | TB02 | 3/8" - 10mm | ROULEMENT A BILLE POUR 3/8" ET 10mm | ROLLER BEARING FOR 3/8" AND 10mm |
| | | | | |
| 5 | TW01 | #4 -5/16" | RONDELLE #4 À 5/16" | THRUST WASHER #4 TO 5/16" |
| 5 | TW01 | 3mm - 8mm | RONDELLE 3mm À 8mm | THRUST WASHER 3mm TO 8mm |
| 5 | TW02 | 3/8" - 10mm | RONDELLE 3/8" ET 10mm | THRUST WASHER 3/8" AND 10mm |
| | | | | |
| 6 | NP4 | 4 - 3mm | ENCLUME #4 ET 3mm | NOSE PIECE #4 AND 3mm |
| 6 | NP6 | 6 | ENCLUME #6 | NOSE PIECE #6 |
| 6 | NP8 | 8 - 4mm | ENCLUME #8 ET 4mm | NOSE PIECE #8 AND 4mm |
| 6 | NP10 | 10 - 5mm | ENCLUME #10 ET 5mm | NOSE PIECE #10 AND 5mm |
| 6 | NP14 | 1/4" - 6mm | ENCLUME 1/4" ET 6mm | NOSE PIECE 1/4" AND 6mm |
| 6 | NP516 | 5/16" - 8mm | ENCLUME 5/16" ET 8mm | NOSE PIECE 5/16" AND 8mm |
| 6 | NP38 | 3/8" - 10mm | ENCLUME 3/8" ET 10mm | NOSE PIECE 3/8" AND 10mm |
| 6 | NP12 | 1/2" | ENCLUME 1/2" | NOSE PIECE 1/2" |
| 6 | NP12MM | 12mm | ENCLUME 12mm | NOSE PIECE 12mm |